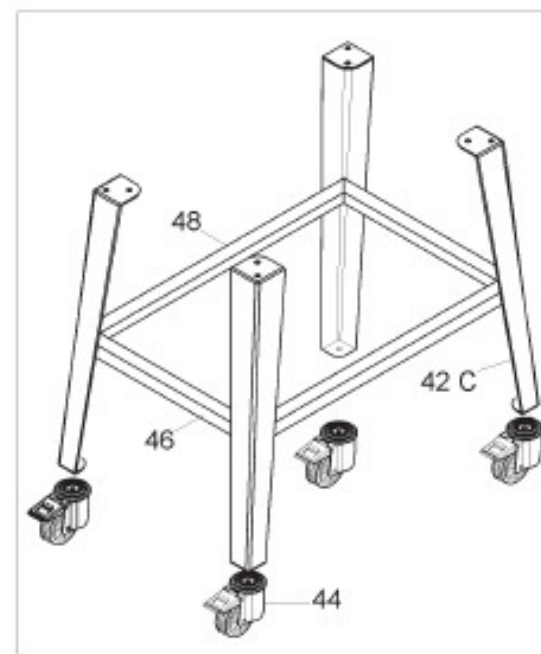
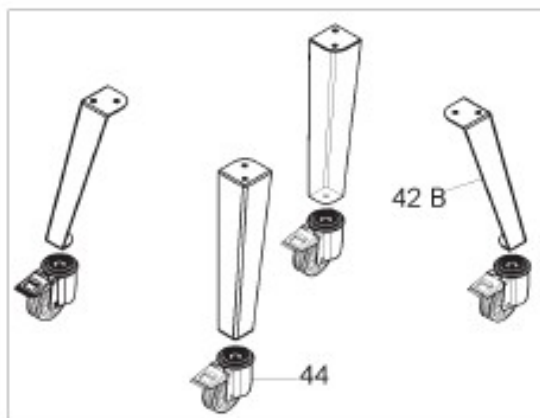
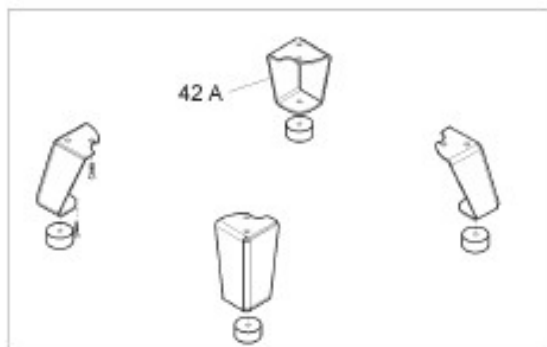
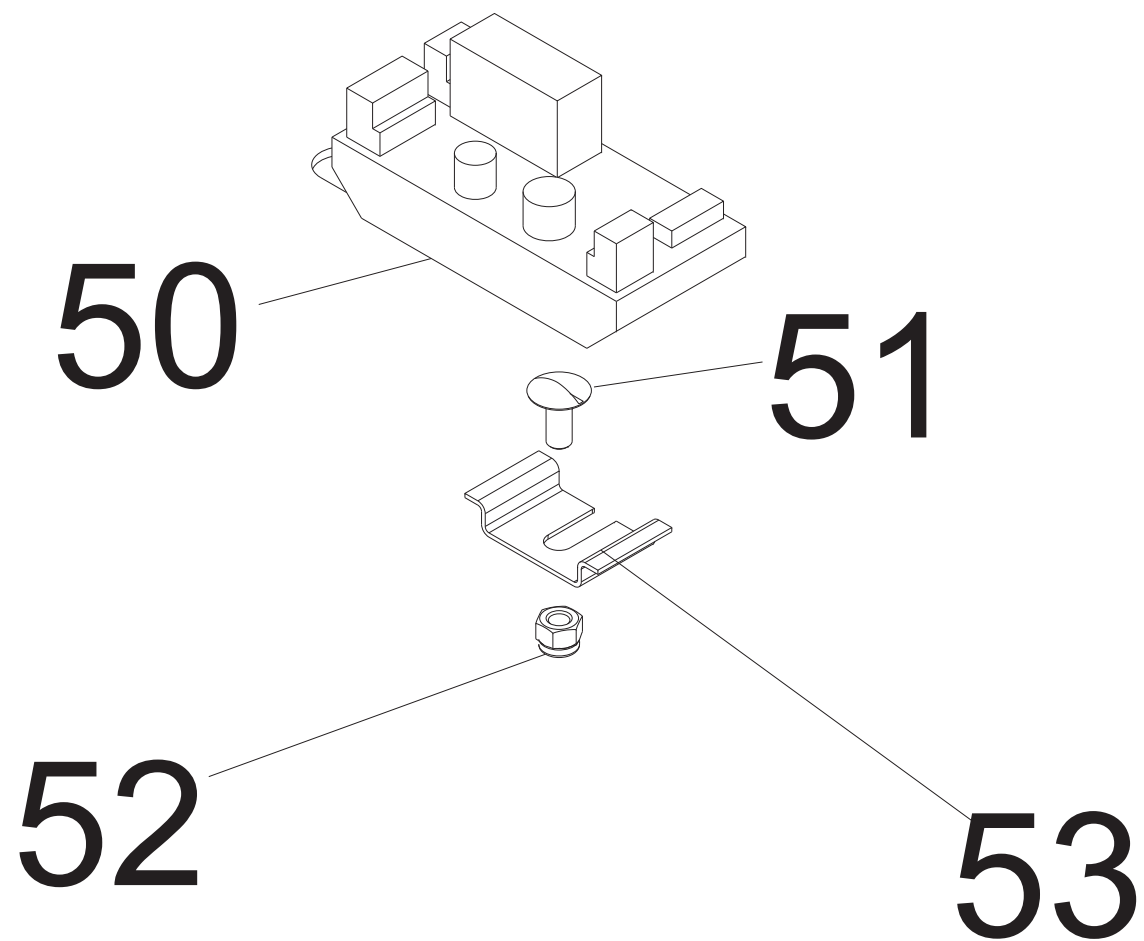


1	GUIDA DIN OMEGA H.7MM L=20MM	LF1000416020
2	CAVO + SPINA CEE 2P + T	LF1010050
3	STRAIN RELIEF + NUT	LF1010063
4	DADO OTT.NICH.PG 11	LF1010063A
5	CONTROL UNIT FOR SAFETY SWITCHES	LF1010080
6	ROUND SENSOR L=2000 SO2020-2400IX	LF1010090
7	ROUND MAGNET DIAM.25	LF1010094
8	BOX GW 44207	LF1010704
9	MORSETTO A PETTINE X EQUIPOTENZ. BZ	LF1030522050
10	PCB WITH REVERSE TC-ME R3 EQ.	LF1033031
11	LABEL FOR 3 PUSH BUTTONS IP/TC	LF1041004
12	S/S ON BUTTON W/LIGHT OMEGA 24 V	LF1041015
13	S/S OFF BUTTON	LF1041018
14	BEARING SP 7205	LF1144504
15	SEAL 40-62-7	LF1239401
16	RUBBER FOOT DIAM 40 H=25	LF1433001
17	RONDELLA PLAST. D 5,3X20 H3 ME30-50	LF1443301
18	GUARNIZ.ANTIVIB.RID.MNRV ME30-50	LF1443310
19	BOCCOLA BZ SINT.15x22x28 L=19 SP=7	LF1495002
20	HANDLE 236-148 M6_COLLECTION TRAY	LF1510010
21	MOTOR 230/50/1 FOR TC22/IP30	LF1838303
22	SUPP.PIEG.SENS. COD. D.18 SO INOX	LF2007022
23	RID. NMRV 050 B14 I=50 P80 ME 30 MP	LF2043340
24	CARENA COMPLETA ME 50 MP COMP	LF2043501
25	COPERCHIO CARENA ME 50 MP COMP	LF2043504
26	FRONTALE CHIUS. CAR. ME 50 MP COMP	LF2043508
27	CARTER CHIUS. POSTER. ME 50 MP COMP	LF2043511
28	PALA COMPLETA MONOP ME 50 MP COMP	LF2043514
29	OMEGA SUPPORTO MOTORE ME 50 MP COMP	LF2043523
30	PERNO TRASC. PALA ME 50 MP COMP	LF2043544
31	HOLDING FLANGE _ IP 80 BA XP	LF2044536
32	BLIND NUT DIN 1587 M5	IX21587LC005
33	CAP NUT DIN 1587 M 6	IX21587LC006
34	TOOTHED WASHER DIN 6798-A D 8E	IX26798A008
35	KEY DIN 6885/A 8X7X60	IX26885A080760
36	VITE TSPEI DIN 7991 M 8X25	IX27991008025
37	VITE TSP TORX DIN 7991 M 5X20 TX25	IX27991PINTX520
38	WASHER LARGE DIN 9021 D 5X15	IX29021005015
39	WASHER THICK DIN 9021 D 8X32	IX29021008032
40	HEX.SOCKET HEAD CAP SCREW M6 X 20	IX2912006020
41	VITE TCEI DIN 912 M 8X18	IX2912008018
42	VITE SENZA TESTA DIN913 M8X30 P.PN	IX2913008030
43	SCREW TE DIN 933 M 8X16 T.F.	IX2933008016
44	HEX.NUT DIN 934 M8	IX2934008
45	DADO AUTOBLOCC. ES DIN 982 M 5 ALTO	IX2982005
46	LOCKNUT ES DIN 982 M6 ALTO	IX2982006
47	DADO AUTOBLOCC. ES DIN 982 M 8 ALTO	IX2982008
48	VITE POELIERS M 4X12	IX2POEL004012
49	SCREW POELIERS M 5X12	IX2POEL005012
50	VITE POELIERS M 5X16	IX2POEL005016
51	SCREW POELIERS M6X10	IX2POEL006010
55	CAPACITOR 35UF	LF1011035



40	S/S TRAY for IP & TC	IV2270500
42 A	SHORT LEG	LF2039770
42 C	GAMBA CAVAL.LUNGA	LF2039766
42 B	GAMBA CAVAL.MEDIA	LF2039755
44	WHEEL WITH BRAKE D80	LF1539701
46	ASTA 440 POST KIT GAMBE ALTE ME 50	LF2043550
48	ASTA 535 LAT KIT GAMBE ALTE ME 50	LF2043553



50	PCB OVERLOAD PROTECTION EQ	LF1033036
51	SCREW POELIERS M 5X12	IX2POELO05012
52	DADO AUTOBLOCC. ES DIN 982 M 5 ALTO	IX2982005
53	GUIDA DIN OMEGA H.7MM L=20MM	LF1000416020